

Waste Management & Recycling

# PRO WAVE

Perfect Resource - Optimised Bin

[ssi-schaefer.com](http://ssi-schaefer.com)

ALWAYS A STEP AHEAD



**SSI SCHÄFER**

# PRO WAVE

## Perfect Resource - Optimised Bin

- Made of High Density Polyethylene, HDPE
- Resource optimised containers for waste and recycling materials in the patented Wave design
- State of the art production methods using minimum raw materials
- Ergonomic handling
- High stability



## TECHNOLOGY AND INNOVATION

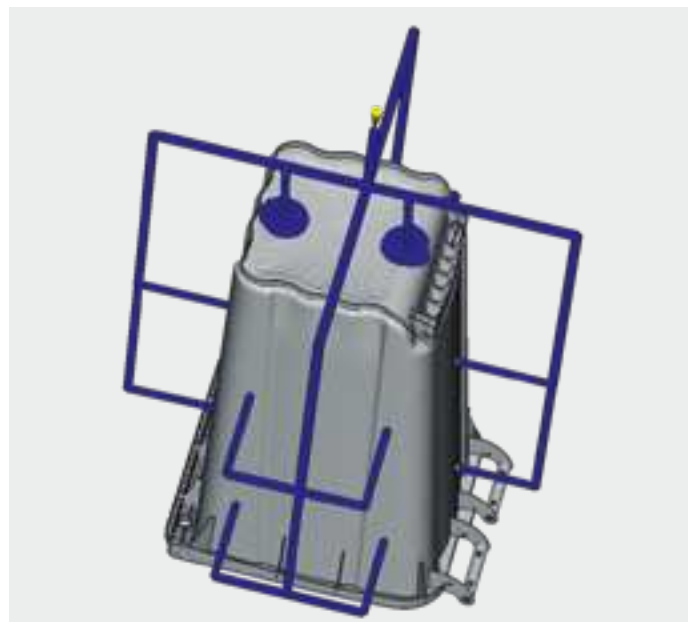
- The latest production methods and state of the art injection moulding machines enable production of pioneering innovative products.
- The manufacturing methods and machinery have made it possible to produce one of the lightest two wheeled containers on the market.
- Despite the low body weight, the container has high stability caused due to the production process.
- The innovative multiple injection system used in the production process enables injection of the plastic material at significantly more points of the container tool, providing a reduced wall thickness with even and stress free material distribution.



PRO Wave 240 l, 120 l, 80 l, 60 l



Computer simulation of drop test



Innovative multi injection frame

## PROTECTION OF RESOURCES

- The sustainable business strategy is protection of the environment, resource conservation and reduction of CO2 emissions.
- The focus is on environmentally friendly production ensuring our products have the lowest possible environmental impact of our products.
- An optimized production is achieved by using reground material from end of life containers.
- The most efficient conservation of resources is to keep the input of raw materials to an absolute minimum as demonstrated by the exemplary success of the PRO Wave.

## DESIGN AND ERGONOMICS

- High stability and unique Wave look
- Optimum handling with the ergonomic concept
- Practical foothold as well as low bin weight
- The low weight of the bins protects collection operatives health and increases efficiency and sustainability
- The reduced weight on the lifting gear decreases the fuel consumption of the vehicle as well as the wear and tear on the lifter.

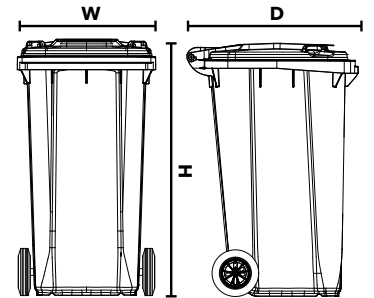




# PRO WAVE 60 - 240 LITRES

- Available in 80 l, 120 l und 240 l
- Made of High Density Polyethylene, HDPE
- UV-stabilised
- Ergonomic design of the lid handles
- Lid with all-round drip rib for condensation water
- Manufactured according to DIN EN 840 - 1, 5 und 6
- RAL quality tested
- Axles from hardened and tempered steel
- Integrated chip-nest for transponder
- External gear for high stability
- Cushioning of the impact by the open lid on the body according to EU directive 2000/14/EG

Pro Wave	60 l	80 l	120 l	240 l
Width mm (W)	446	448 ± 5	480 ± 5	585
Height mm (H)	922	932 max.	1.005 max.	1.100 max.
Depth mm (D)	514	514 max.	555 max.	740 max.
Nominal volume l	60 +13 / -5	80 + 18 / -5	120 + 8 / -6	240 - 15 / -5
Payload kg	40	40	48	96
Wheel - Ø mm	200	200	200	200



All dimensions are nominal in accordance with DIN EN 840.





### Perfect Optimisation Of Resources

- Optimized use of raw materials
- Highest material quality
- Reduced CO2 emissions
- Latest injection molding machines
- Sustainable production process with state-of-the-art technology
- Most innovative tool generation with multiple injection

### Economics

- High stacking for cost-effective transports
- Space saving storage
- Low bin weight
  - Less wear and fuel consumption for the collection vehicle
- Protection of health
- Promotes productivity
- Ergonomic handling

### Proven SSI SCHAEFER Quality

- RAL quality tested
- Increased container strength
  - Special base design
  - Continuous wave contour
  - Fully profiled side walls
- Stress free material distribution
- Robust stacking supports



Continuous handle tube with 2 point hinges



Lid with 4 point hinges



Integrated foothold

### Standard bin colours PRO Wave 80, 120 und 240 Litres

Rape yellow RAL 1021	Red RAL-Design 040 40 67	Blue RAL-Design 270 40 40
Black grey RAL 7021	Pale brown RAL 8025	Green RAL-Design 150 40 20 (140 40 20)

### Standard bin colours PRO Wave 60 Litres

Black grey RAL 7021	Pale brown RAL 8025	Green RAL-Design 150 40 20 (140 40 20)
------------------------	------------------------	---

More colours on request.



**ssi-schaefer.com**

0391\_052017\_san x/052017 © SSI SCHÄFER  
Printed in Germany  
This catalogue is supplied E&OE.

